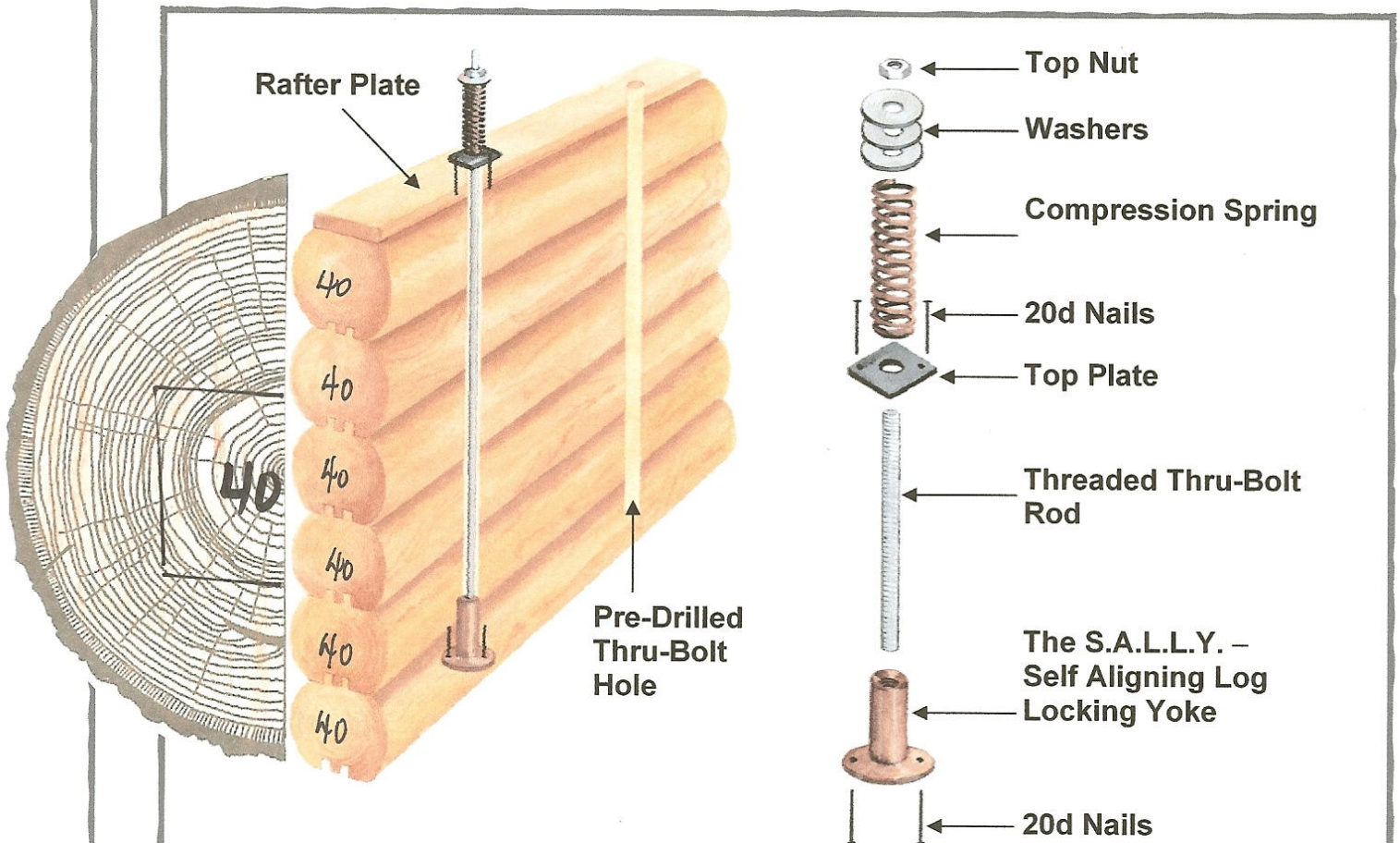




THE HERITAGE SELF-TIGHTENING, MAINTENANCE-FREE THRU-BOLT ASSEMBLY FEATURING OUR PATENTED S.A.L.L.Y. ANCHORING SYSTEM



In the old days, logs were joined together with spikes or lag-bolts (threaded screws). Heritage Log Homes has invented a better technique! A spring-loaded, self-tightening, maintenance-free thru-bolt system. This method replaces outdated forms of log joinery to create an extremely strong wall system that keeps the logs fitting tightly together. Once installed, you never have to touch it again! It continually keeps working to control log wall shrinkage and expansion. This also keeps your logs fitting tightly together for improved energy efficiency.

This is Your Heritage

